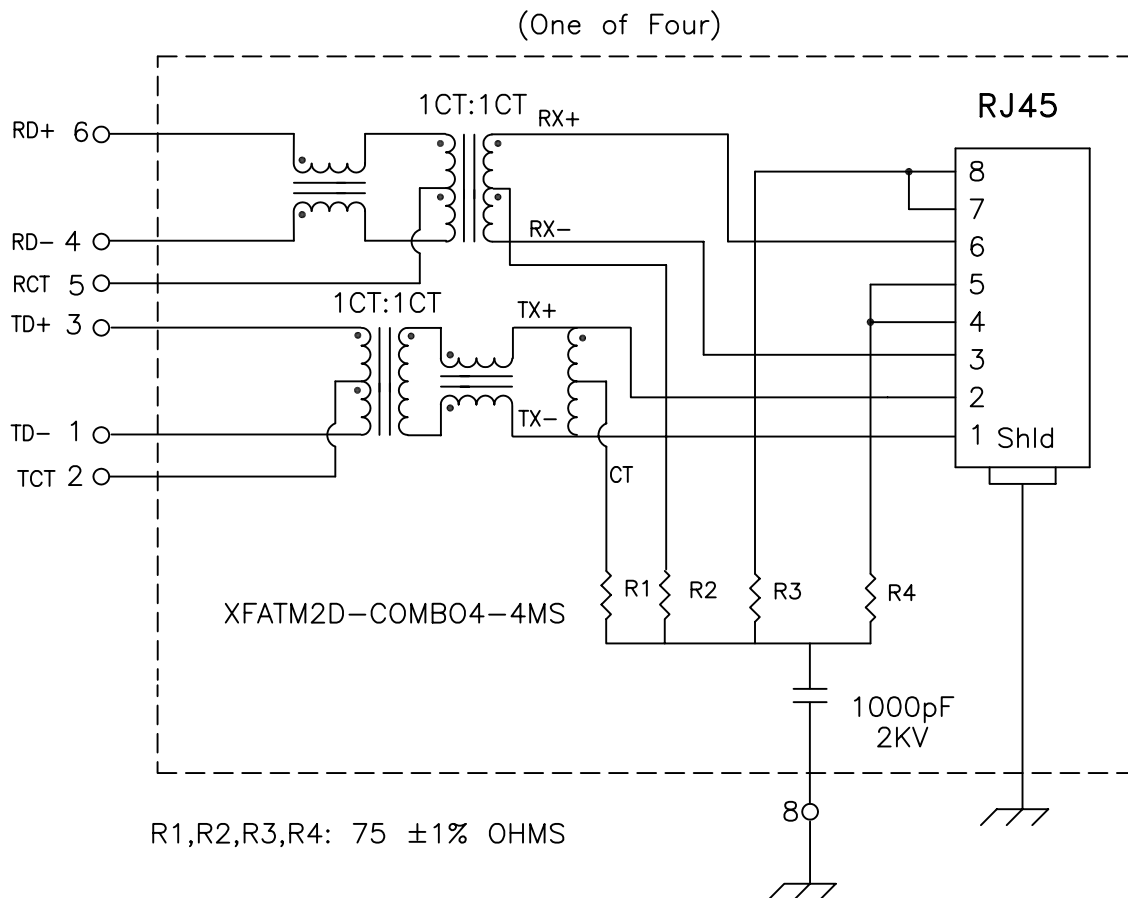


## Schematic:



## Electrical Specifications: @25°C

Isolation Voltage: 1500 Vrms (INPUT to OUTPUT)

UTP SIDE OCL: 350uH Min @100KHz 100mV 8mADC

Rise Time (10-90%): 2.5ns Typical

Insertion Loss (100KHz-100MHz): -1.1dB Maximum

Insertion Loss (100MHz-125MHz): -1.5dB Maximum

Return Loss: -20dB Typ @30MHz

-15dB Typ @80MHz

Crosstalk:

100KHz-60MHz -40dB Typical

60MHz-100MHz -38dB Typical

Common Mode to Differential Mode Rejection:

100KHz-60MHz -45dB Typ (Tx) / -40dB Typ (Rx)

60MHz-100MHz -40dB Typ (Tx) / -35dB Typ (Rx)

### Notes:

1. Solderability: Leads shall meet MIL-STD-202, Method 208D for solderability.

2. Flammability: UL94V-0

3. ASTM oxygen index: > 28%

4. Temperature rating: 155°C. UL file E151556

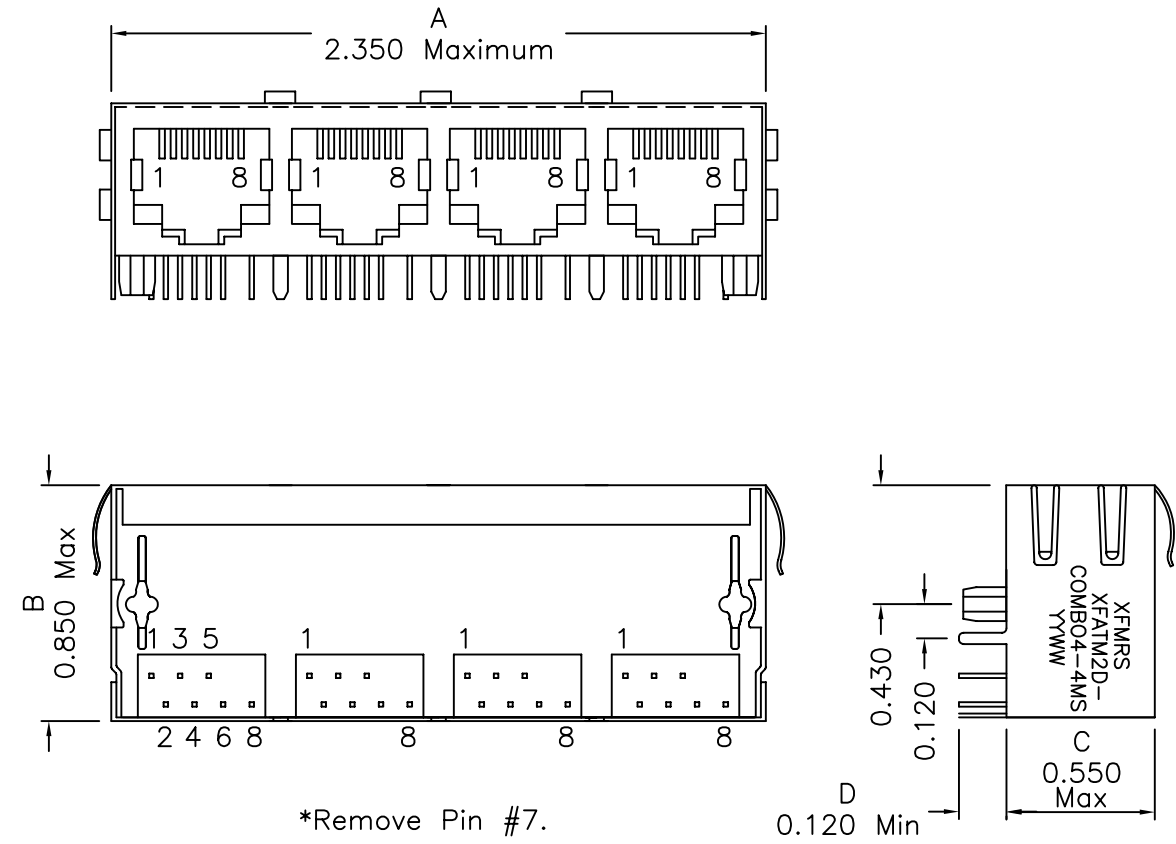
5. Operating Temperature Range:

All listed parameters are to be within tolerance from 0°C to +70°C

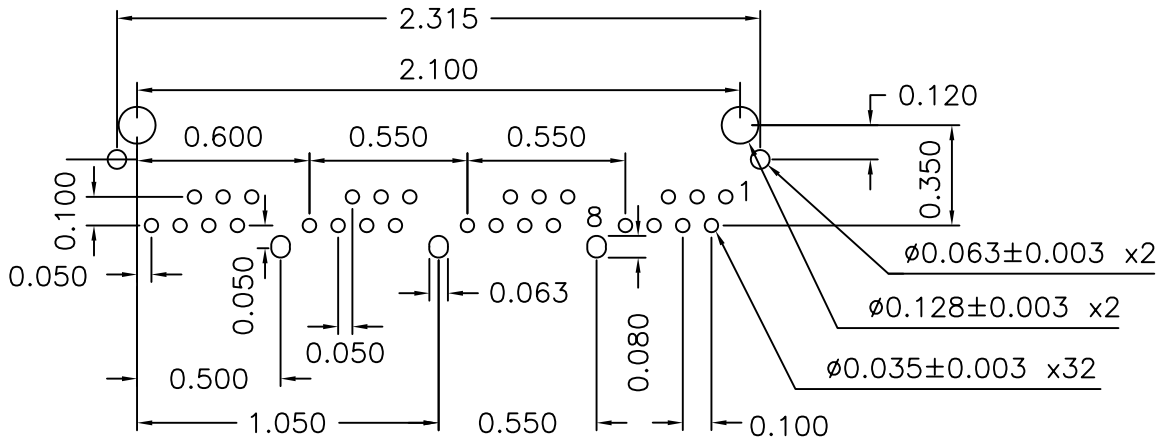
DOC REV: A/1

<b>XFMRs Inc.</b>		Title: <b>FOUR PORT COMBO</b>	
UNLESS OTHERWISE SPECIFIED TOLERANCES: .xxx ±0.010 Dimensions in Inch	XFATM2D-COMBO4-4MS		REV. A
	DWN.	罗振江	May-27-03
	CHK.	廖玉坤	May-27-03
SHEET 1 OF 2	APP.	Isaiah M	May-27-03

# Mechanical Dimensions: (FOR COMBO4-4MS)



\*Remove Pin #7.



SUGGESTED MOUNTING PATTERN

DOC REV: A/1

<b>XFMRs Inc.</b> UNLESS OTHERWISE SPECIFIED TOLERANCES: .xxx ±0.010 Dimensions in Inch SHEET 2 OF 2	Title: Mechanical Dimensions For COMBO4-4MS Series	
	P/N: XFATM2D-COMBO4-4MS	REV. A
	DWN. 廖玉坤	May-27-03
	CHK. 李清儿	May-27-03
	APP. Isaiah M	May-27-03